

# Zero sequence current transformer



Model: ZTA06W

ZTA06W series zero sequence current transformer are new product which are designed for industrial control equipment, using permalloy core.

## Technical index:

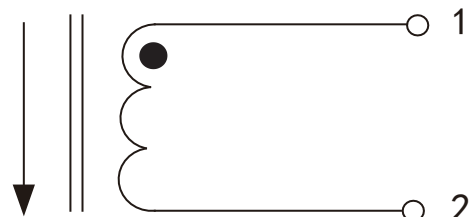
- Core material: permalloy
- Flame resistance: UL94-V0
- Complaint with: GB1208-2006
- Working temperature:  $-25^{\circ}\text{C} \sim +70^{\circ}\text{C}$
- Storage temperature:  $-35^{\circ}\text{C} \sim +85^{\circ}\text{C}$
- Work frequency: 20Hz-20KHz
- Dielectric strength: 2.5KV 50Hz 1min



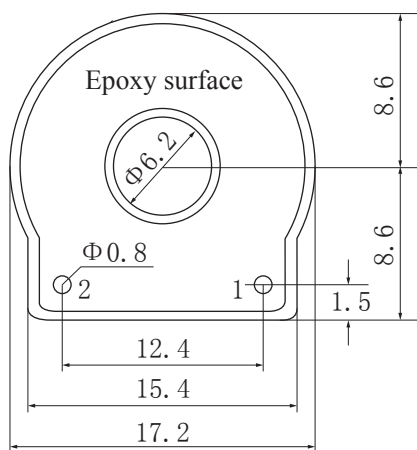
## Electrical Index:

Primary rated test current	1	A
Secondary rated output current	0.9	mA
Turn ratios	1: 1100	
Accuracy	10	%
Sampling resistance	10	$\Omega$
weight	4	g

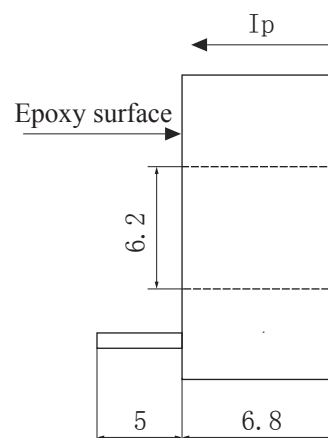
## Wiring schematic diagram:



## Dimension(in mm):



Front view



Side View