

Zero sequence current transformer



Model: ZTA1208DB-100

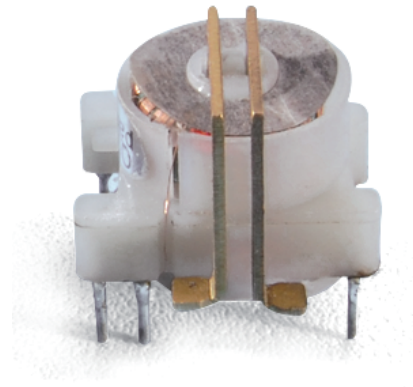
Characteristic: Leakage current / GND / secondary current unbalance, tested by 2 coils, With testing coil built in, with magnetic shield built in, power which to be measured in the primary is introduced by conducting strip directly welded on the PCB.

Technical index:

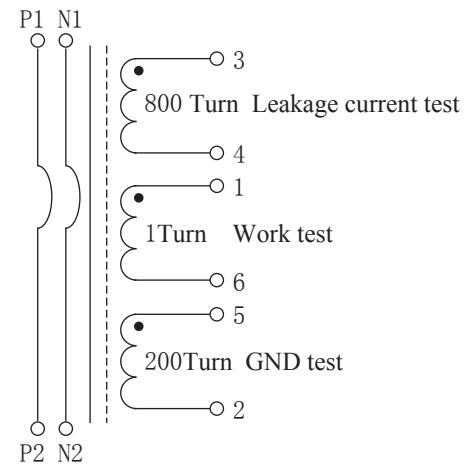
- Mounting type: PCB
- Core material: permalloy + Ferrite core
- Flame resistance: UL94-Vo
- Complaint with: GB1208-2006
- Working temperature: $-25^{\circ}\text{C} \sim +70^{\circ}\text{C}$
- Storage temperature: $-35^{\circ}\text{C} \sim +85^{\circ}\text{C}$
- Work frequency: 20Hz-20KHz
- Dielectric strength: 3KV 50Hz 1min

Electrical Index:

Primary rated test current	1	A
Secondary rated output current	1.25	mA
Turn ratios	1: 800	
Accuracy	1	%
Sampling resistance	100	Ω
weight	6.5	g



Wiring schematic diagram:



Dimension(in mm):

