

LBC120 cable output toroidal transformer



Characteristics:

Small magnetic leakage, low noise, high efficiency, low no-load current, suitable for advanced audio, medical equipment, military engineering, precision instruments, using imported high-quality toroidal core.

Technical index:

Mounting type: Plate mount

Flame resistance : UL94-V0

Insulation class: B

Operation temperature: -30°C ~ +40°C

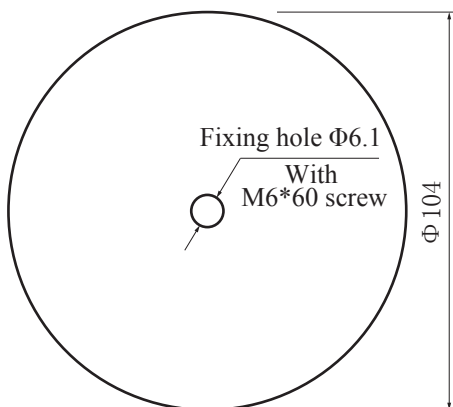
Work frequency: 50Hz~60Hz

Dielectric strength: Pri./Sec. 4KV 50Hz 1min 5mA, Sec./Sec 500V 50Hz 1min 5mA

Electrical parameters: (The following parameters are typical values and actual values will be subject to product testing)

Primary voltage	110×2/115×2	V
Primary voltage range	±10	%
Voltage regulation	≤11	%
Power	120	VA
Temperature rising	-	°C
No-load loss	≤10.66	W
Weight	1.5	Kg

Dimension (in mm±0.5) :



Top view

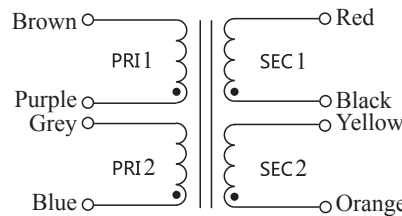
Product picture printing is for reference only, subject to the actual product



Standard output parameter table: (Factory test is based on the full-load voltage)

Secondary voltage	Secondary no-load voltage	Secondary full-load current
12V×2	13.4V×2	5A×2
15V×2	16.8V×2	4A×2
18V×2	20.2V×2	3.33A×2
22V×2	24.5V×2	2.73A×2
30V×2	33.5V×2	2A×2
55V×2	61.3V×2	1.09A×2

Schematic diagram:



Input/output shorting method

Series connection:

Purple-Grey short circuit/Brown-Blue input.
Black-Yellow short circuit/Red-Orange output.

Parallel connection:

Brown-Grey short circuit,
Purple-Blue short circuit,
Brown-Purple input or Grey-Blue input.
Red-Yellow short circuit,
Black-Orange short circuit,
Red-Black output or Yellow-Orange output.



Side view