

LBC160 cable output toroidal transformer



Characteristics:

Small magnetic leakage, low noise, high efficiency, low no-load current, suitable for advanced audio, medical equipment, military engineering, precision instruments, using imported high-quality toroidal core.

Technical index:

Mounting type: Plate mount

Flame resistance : UL94-V0

Insulation class: B

Operation temperature: -30°C ~ +40°C

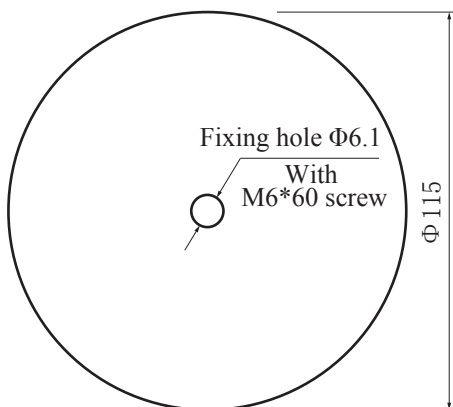
Work frequency: 50Hz~60Hz

Dielectric strength: Pri./Sec. 4KV 50Hz 1min 5mA, Sec./Sec 500V 50Hz 1min 5mA

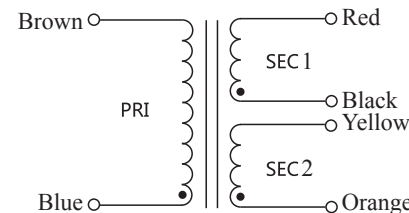
Electrical parameters: (The following parameters are typical values and actual values will be subject to product testing)

Primary voltage	110V/220V/230V/380V	V
Primary voltage range	±10	%
Voltage regulation	≤11	%
Power	160	VA
Temperature rising	-	°C
No-load loss	≤12.87	W
Weight	1.9	Kg

Dimension (in mm±0.5) :



Top view



Cable length: 15~17cm



Side view

Product picture printing is for reference only, subject to the actual product



Standard output parameter table: (Factory test is based on the full-load voltage)

Secondary voltage	Secondary no-load voltage	Secondary full-load current
12V×2	13.5V×2	6.67A×2
15V×2	16.6V×2	6.33A×2
18V×2	20V×2	4.44A×2
22V×2	24.5V×2	3.64A×2
30V×2	33.5V×2	2.67A×2
55V×2	61.2V×2	1.45A×2

Schematic diagram:

Input/output shorting method

Series connection:

Black-Yellow short circuit/Red-Orange output.

Parallel connection:

Red-Yellow short circuit,

Black-Orange short circuit,

Red-Black output or Yellow-Orange output.