

LBC225 cable output toroidal transformer



Characteristics:

Small magnetic leakage, low noise, high efficiency, low no-load current, suitable for advanced audio, medical equipment, military engineering, precision instruments, using imported high-quality toroidal core.

Technical index:

Mounting type: Plate mount

Flame resistance : UL94-V0

Insulation class: B

Operation temperature: -30°C ~ +40°C

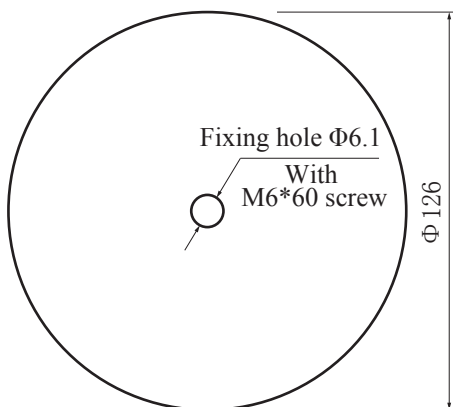
Work frequency: 50Hz~60Hz

Dielectric strength: Pri./Sec. 4KV 50Hz 1min 5mA, Sec./Sec 500V 50Hz 1min 5mA

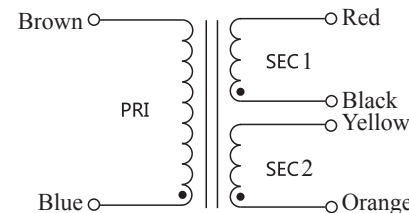
Electrical parameters: (The following parameters are typical values and actual values will be subject to product testing)

| | | |
|-----------------------|---------------------|----|
| Primary voltage | 110V/220V/230V/380V | V |
| Primary voltage range | ±10 | % |
| Voltage regulation | ≤9 | % |
| Power | 225 | VA |
| Temperature rising | - | °C |
| No-load loss | ≤16.5 | W |
| Weight | 2.3 | Kg |

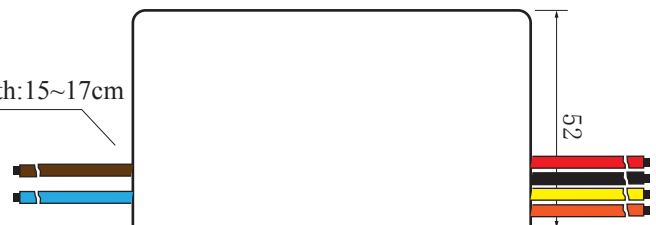
Dimension (in mm±0.5) :



Top view



Cable length: 15~17cm



Side view

Product picture printing is for reference only, subject to the actual product



Standard output parameter table: (Factory test is based on the full-load voltage)

| Secondary voltage | Secondary no-load voltage | Secondary full-load current |
|-------------------|---------------------------|-----------------------------|
| 12V×2 | 13.1V×2 | 9.38A×2 |
| 15V×2 | 16.5V×2 | 7.5A×2 |
| 18V×2 | 19.7V×2 | 6.25A×2 |
| 22V×2 | 24.2V×2 | 5.11A×2 |
| 30V×2 | 32.8V×2 | 3.75A×2 |
| 55V×2 | 60V×2 | 2.05A×2 |

Schematic diagram:

Input/output shorting method

Series connection:

Black-Yellow short circuit/Red-Orange output.

Parallel connection:

Red-Yellow short circuit,

Black-Orange short circuit,

Red-Black output or Yellow-Orange output.