

LBC500 cable output toroidal transformer



Characteristics:

Small magnetic leakage, low noise, high efficiency, low no-load current, suitable for advanced audio, medical equipment, military engineering, precision instruments, using imported high-quality toroidal core.

Technical index:

Mounting type: Plate mount

Flame resistance : UL94-V0

Insulation class: B

Operation temperature: -30°C ~ +40°C

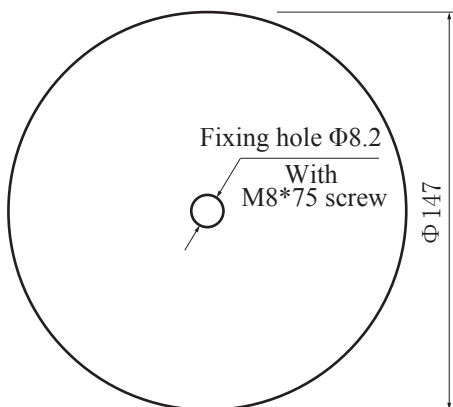
Work frequency: 50Hz~60Hz

Dielectric strength: Pri./Sec. 4KV 50Hz 1min 5mA, Sec./Sec 500V 50Hz 1min 5mA

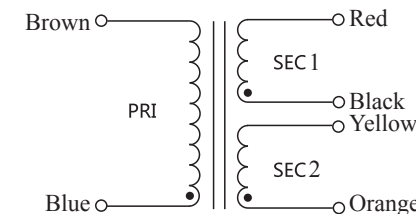
Electrical parameters: (The following parameters are typical values and actual values will be subject to product testing)

| | | |
|-----------------------|---------------------|----|
| Primary voltage | 110V/220V/230V/380V | V |
| Primary voltage range | ±10 | % |
| Voltage regulation | ≤8 | % |
| Power | 500 | VA |
| Temperature rising | - | °C |
| No-load loss | ≤24.6 | W |
| Weight | 4.5 | Kg |

Dimension (in mm±0.5) :



Top view



Cable length: 15~17cm



Side view

Product picture printing is for reference only, subject to the actual product



Standard output parameter table: (Factory test is based on the full-load voltage)

| Secondary voltage | Secondary no-load voltage | Secondary full-load current |
|-------------------|---------------------------|-----------------------------|
| 20V×2 | 21.5V×2 | 12.5A×2 |
| 25V×2 | 26.7V×2 | 10A×2 |
| 30V×2 | 32.3V×2 | 8.33A×2 |
| 40V×2 | 43V×2 | 6.25A×2 |
| 55V×2 | 59V×2 | 4.55A×2 |

Schematic diagram:

Input/output shorting method

Series connection:

Black-Yellow short circuit/Red-Orange output.

Parallel connection:

Red-Yellow short circuit,

Black-Orange short circuit,

Red-Black output or Yellow-Orange output.