

# LB2 series common mode choke



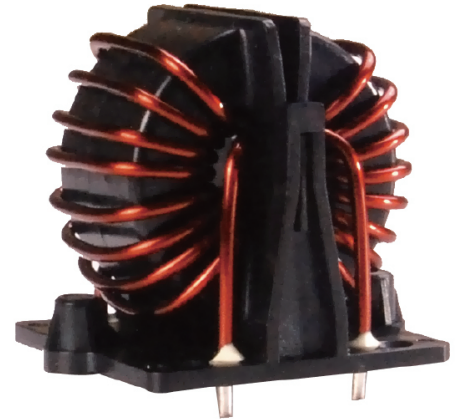
Model:LB221-25-06L

**Characteristics:**

It is used for switching power supply, suppressing common mode interference signal.

**Technical index:**

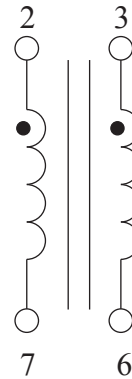
- Mounting type: PCB
- Flame resistance: UL94-V0
- Operating temperature: -20°C ~ +100°C
- Storage temperature: -40°C ~ +100°C
- Work frequency: DC ~ 400Hz
- Dielectric strength: 2.5KV/1min (between two coils)



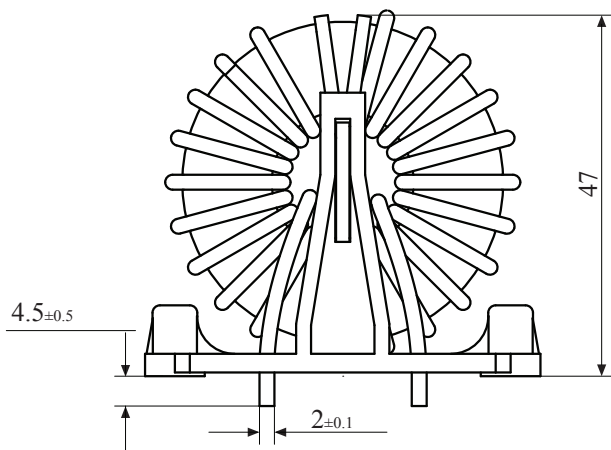
**Electrical parameters:**

Rated current	25	A
Inductance 1KHz,0.3V	0.64	mH
Inductance error	-30 ~ +50	%
DC resistance	2.6	mΩ
Maximum operating voltage	600V AC 1000V DC	
Weight	26	g

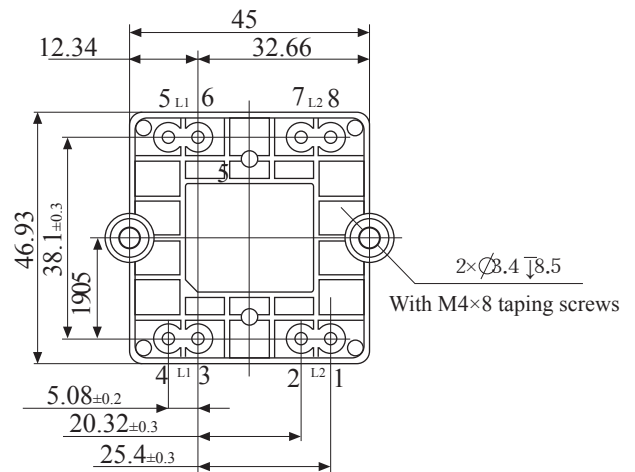
**Schematic diagram:**



**Dimensions(in mm±0.5):**



Front view



Bottom view