

KBE6028 (D)



Characteristics:

Vacuum epoxy sealing, safe and moistureproof, three output modes of terminal, lead and weld, C35 standard card rail or plate two installation modes, DC current output.

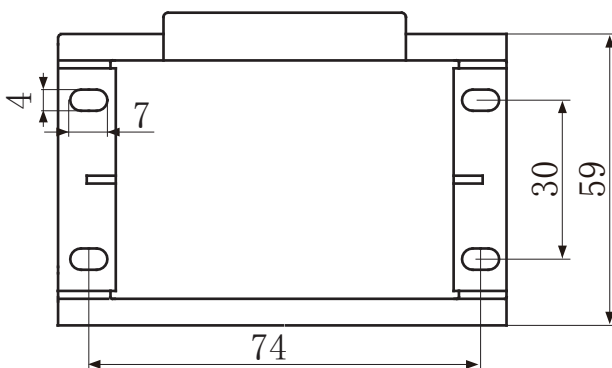
Technical Index:

- Technical Index: Din-rail Mounting
- Flame resistance : UL94-V0
- Insulation class: B
- Operation temperature: $-30^{\circ}\text{C} \sim +40^{\circ}\text{C}$
- Work frequency: 50Hz~60Hz
- Dielectric strength: Pri/Sec 3.5KV 50Hz 1min 5mA
Sec 500V 50Hz 1min 5mA

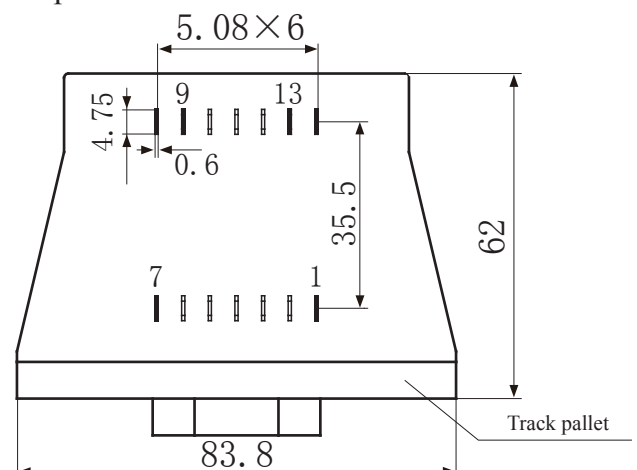
Electrical parameters: The following parameters are typical values. The actual values shall be subject to the actual measurement of the product

Primary voltage	110V	220V	230V	380V	Unit
Primary voltage range	± 10				%
Power	40				VA
Voltage regulation	≤ 12				%
Temperature rising	≤ 28				$^{\circ}\text{C}$
No load loss	≤ 2.5				W
weight	700				g

Dimensions (in mm ± 0.5)

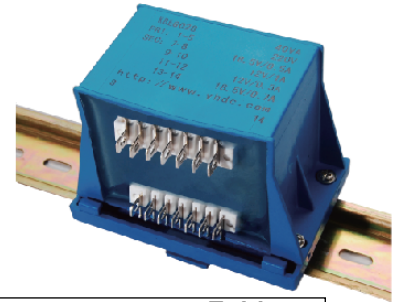


Front view



Top view

Product picture print for reference only, subject to the actual product

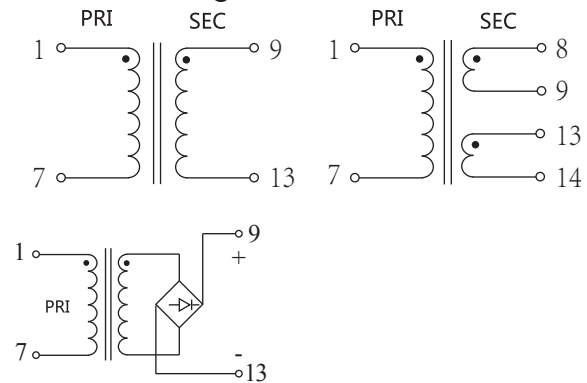


Standard output parameters Table:

(Delivery is subject to full load voltage)

Secondary output voltage		Secondary No-load Voltage		Secondary full load current	
Single	Double	Single	Double	Single	Double
6V	6V $\times 2$	6.9V	6.9V $\times 2$	666mA	333mA $\times 2$
7.5V	7.5V $\times 2$	8.6V	8.6V $\times 2$	533mA	266.5mA $\times 2$
9V	9V $\times 2$	10.3V	10.3V $\times 2$	444mA	222mA $\times 2$
12V	12V $\times 2$	13.8V	13.8V $\times 2$	333mA	166.5mA $\times 2$
15V	15V $\times 2$	17.2V	17.2V $\times 2$	266mA	133mA $\times 2$
18V	18V $\times 2$	20.7V	20.7V $\times 2$	222mA	111mA $\times 2$
24V	24V $\times 2$	27.5V	27.5V $\times 2$	166mA	83mA $\times 2$

Schematic Diagram:



DC output