

# KBE6028 (D)-T



## Characteristics:

Vacuum epoxy sealing, safe and moistureproof,  
Terminal output .C35 standard card rail or plate  
two installation modes, DC current output.

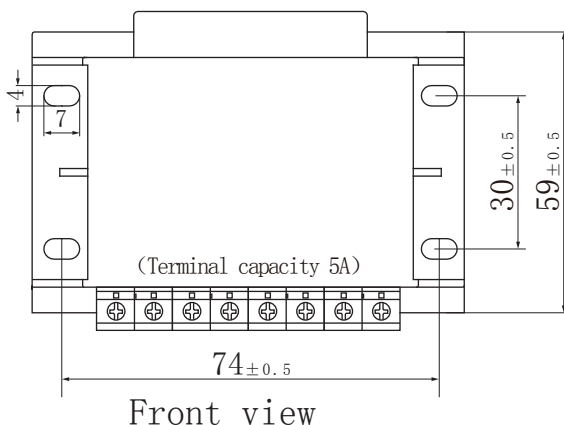
## Technical Index:

- Technical Index: Din-rail Mounting
- Flame resistance : UL94-V0
- Insulation class: B
- Operation temperature:  $-30^{\circ}\text{C} \sim +40^{\circ}\text{C}$
- Work frequency: 50Hz~60Hz
- Dielectric strength: Pri/Sec 3.5KV 50Hz 1min 5mA  
Sec 500V 50Hz 1min 5mA

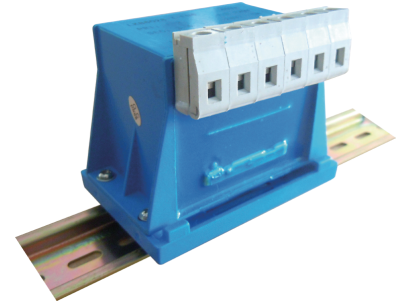
Electrical parameters: The following parameters are typical values. The actual values shall be subject to the actual measurement of the product

Primary voltage	110V	220V	230V	380V	Unit
Primary voltage range	$\pm 10$				%
Power	40				VA
Voltage regulation	$\leq 12$				%
Temperature rising	$\leq 28$				$^{\circ}\text{C}$
No load loss	$\leq 2.5$				W
weight	700				g

## Dimensions (in mm $\pm 0.5$ )



Product picture print for reference only,  
subject to the actual product

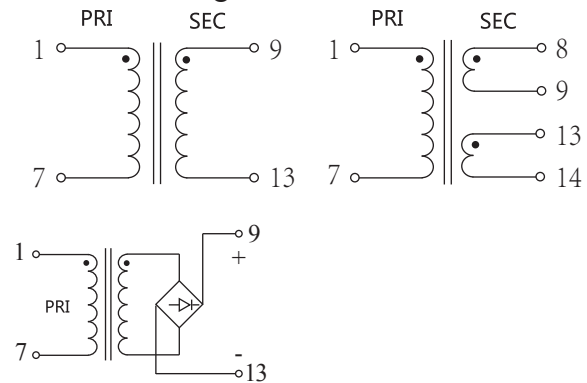


## Standard output parameters Table:

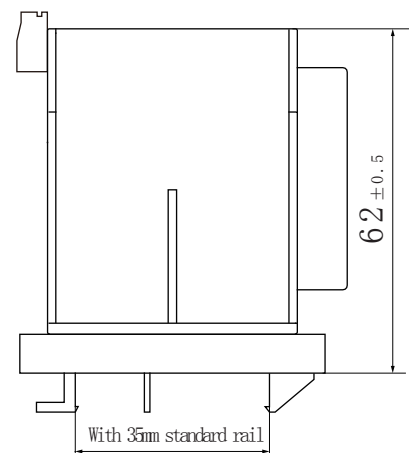
(Delivery is subject to full load voltage)

Secondary output voltage		Secondary No-load Voltage		Secondary full load current	
Single	Double	Single	Double	Single	Double
6V	6V×2	6.9V	6.9V×2	666mA	333mA×2
7.5V	7.5V×2	8.6V	8.6V×2	533mA	266.5mA×2
9V	9V×2	10.3V	10.3V×2	444mA	222mA×2
12V	12V×2	13.8V	13.8V×2	333mA	166.5mA×2
15V	15V×2	17.2V	17.2V×2	266mA	133mA×2
18V	18V×2	20.7V	20.7V×2	222mA	111mA×2
24V	24V×2	27.5V	27.5V×2	166mA	83mA×2

## Schematic Diagram:



## DC output



Bottom view