

3-SCT010L-RJ12



Characteristics:

Three-phase integrated split core current transformer, easy installation, RJ12 connector output.

Product picture printing is for reference only, subject to the actual product

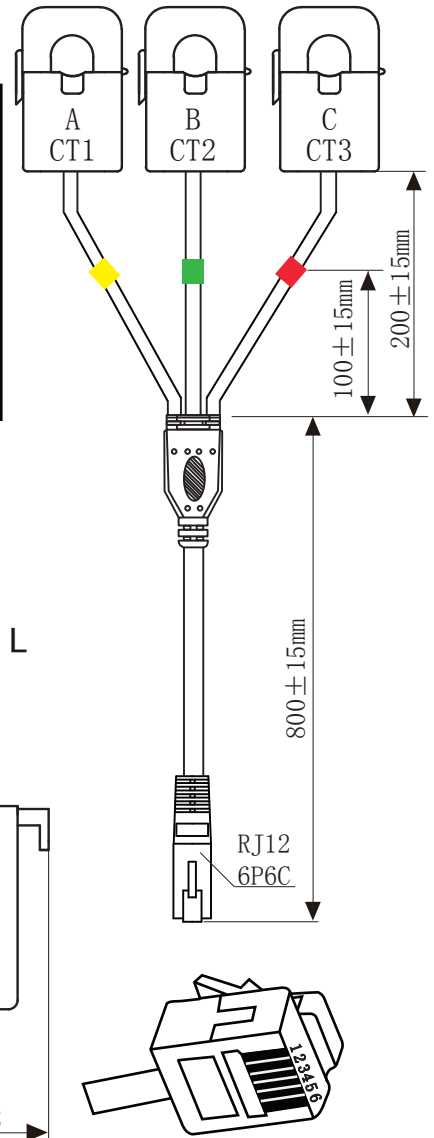
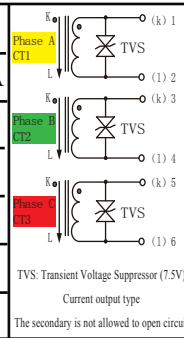
Technical index:

Mounting type: Free hanging (In-Line)
 Material of core: Ferrite
 Applicable standards: GB20840-2014
 Operating temperature: -25 °C ~ +60 °C
 Storage temperature: -30 °C ~ +90 °C
 Frequency range: 50Hz-1KHz
 Dielectric strength: Input (bare conductor)/Output AC 800V/1min 50Hz
 Output/Housing AC 3.5KV/1min 50Hz



Electrical parameters: The following parameters are typical values. The actual values shall be subject to the actual measurement of the product

Rated input	20		50			60	80			A
Rated output	20	10	50	25	16.6	20	80	40	26.6	mA
Turns ratio	1:1000	1:2000	1:1000	1:2000	1:3000	1:3000	1:1000	1:2000	1:3000	-
Accuracy	1	0.5	1	0.5	0.5	0.5	1	0.5	0.5	%
Sampling resistance	10									Ω
Phase shift	≤184'									分
Weight	150									g



Dimensions (unit mm±0.5) :

