

3-SCT052SL-RJ12



Characteristics:

Three-phase integrated split core current transformer, easy installation, RJ12 connector output.

Technical index:

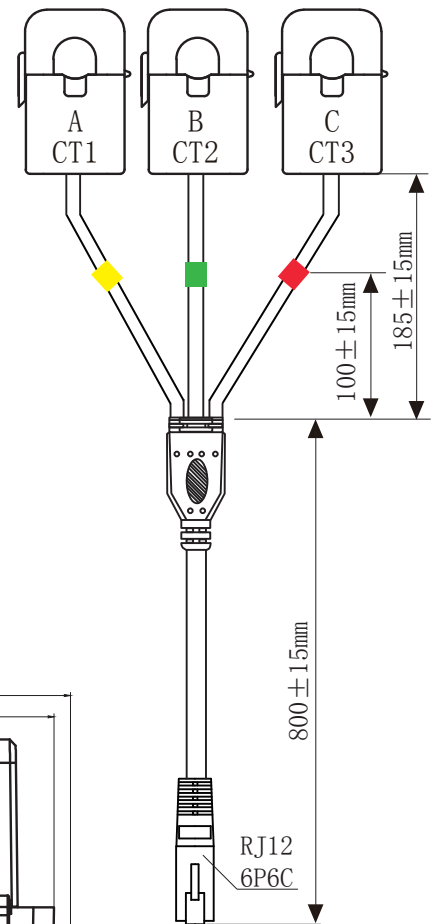
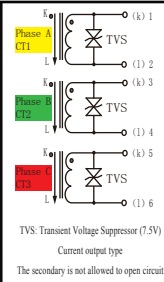
Mounting type: Free hanging (In-Line)
 Material of core: Laminated silicon steel
 Applicable standards: GB20840-2014
 Operating temperature: -25 °C ~ +60 °C
 Storage temperature: -30 °C ~ +90 °C
 Frequency range: 50Hz-60Hz
 Dielectric strength: Input (bare conductor)/Output AC 800V/1min 50Hz
 Output/Housing AC 3.5KV/1min 50Hz

Product picture printing is for reference only, subject to the actual product

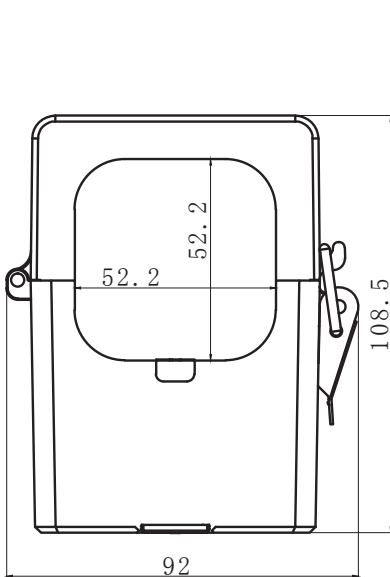


Electrical parameters: The following parameters are typical values. The actual values shall be subject to the actual measurement of the product

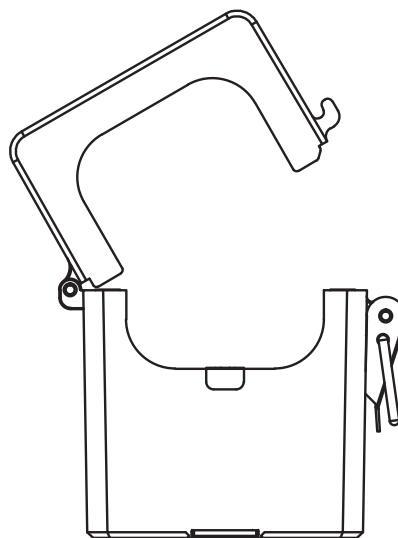
Rated input	500	600	800	1000	A
Rated output	100	100	100	100	mA
Turns ratio	1 : 5000	1 : 6000	1 : 8000	1 : 10000	-
Accuracy	0.5/0.2	0.5/0.2	0.5/0.2	0.5/0.2	%
Sampling resistance	50	50	50	50	Ω
Weight	1500				g



Dimensions (unit mm±0.5) :



Front view



Side view

