

TA8421P Through core type precision current transformer **YHDC** 1992®

Characteristics:

Epoxy potting, Nanocrystalline core, small size, fully enclosed, remote monitoring of electrical load, as the input signal of the electronic control system, phase loss indication, electric quantity measurement, motor running state monitoring.

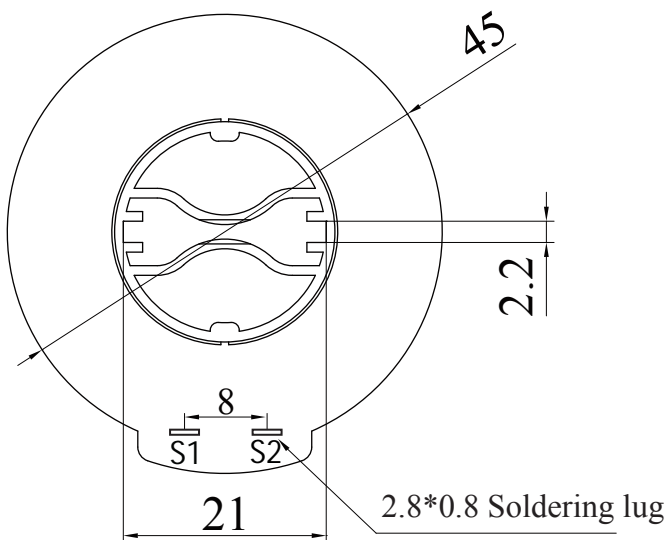
Technical index:

- Mounting type: Suspension
- Material of the core: Nanocrystalline
- Flame resistance: UL94-V0
- Execution standard: GB20840-2014
- Operating temperature: -40°C ~ +50°C
- Storage temperature: -40°C ~ +60°C
- Frequency range: 20Hz-20KHz
- Dielectric strength: 3.5KV 50Hz 1min

Electrical parameters: (The following parameters are typical values and actual values will be subject to product testing)

Model	TA8421P				Unit
Rated input	100	100	200	200	A
Rated output	50	100	50	100	mA
Turns ratio	1:2000	1:1000	1:4000	1:2000	
Linearity	≤0.5	≤0.5	≤0.5	≤0.5	%
Sampling resistance	80	20	80	20	Ω
Weight	85				g

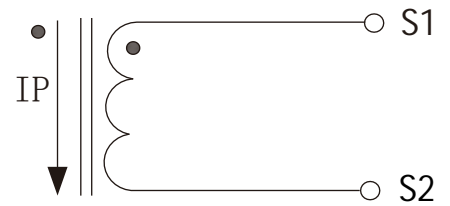
Dimensions (in mm ± 0.5) :



Product picture : (the printed words are for reference only, subject to the actual product)



Schematic diagram:



current output type.
the secondary is not allowed to open.

Current direction
printing ← Epoxy

